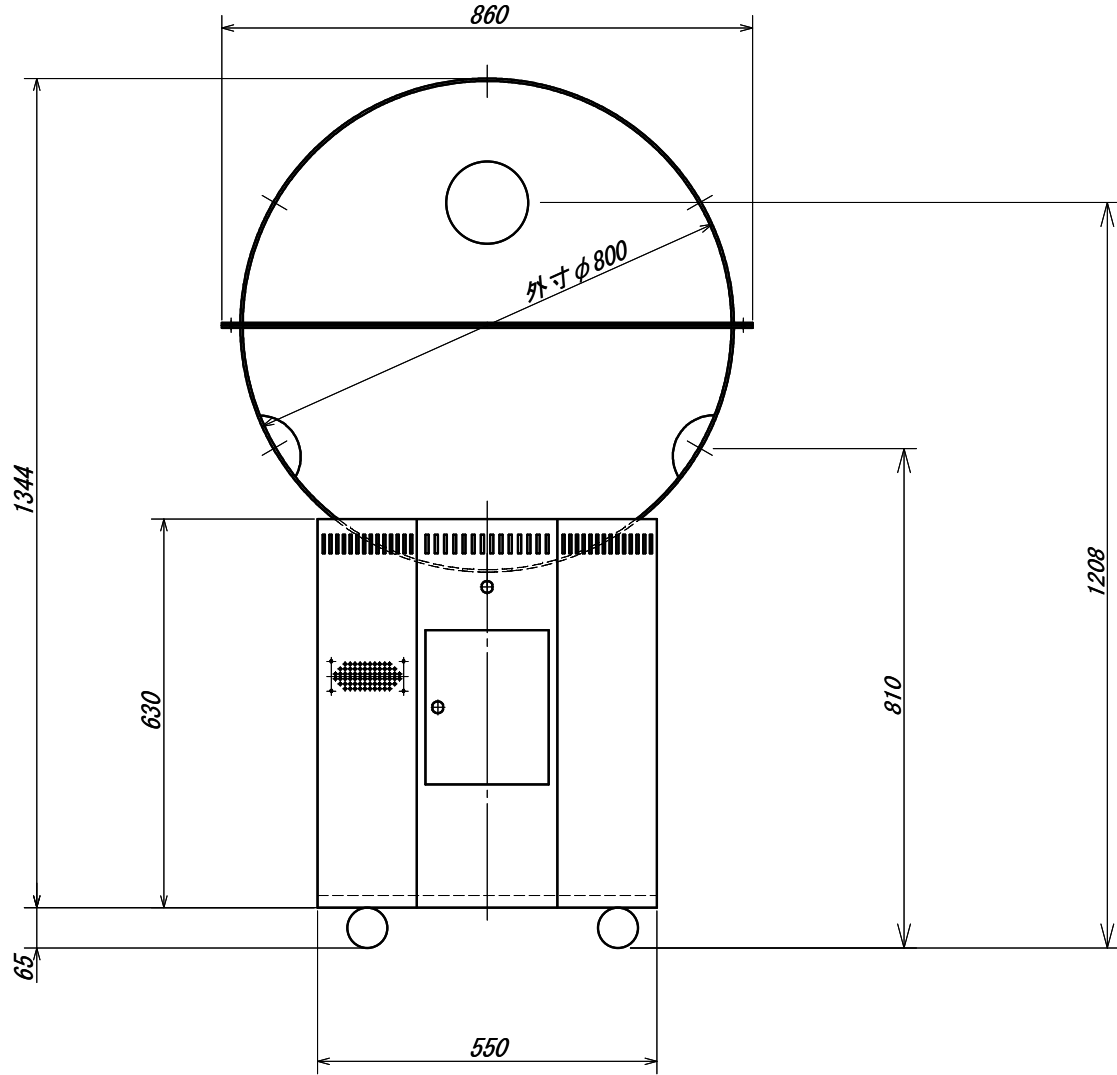


GENERAL TOLERANCES	
4位寸	±0.1
14位寸	±0.2
20位寸	±0.3
125位寸	±0.5
400位寸	±0.8
1000位寸	±1.2



No.	PART DRG.No.	PART NAME	MATERIAL	QTY	COLOR	REMARKS
④	<b>B 4</b>	SCALE	1/10	---	1	*
			REF.No.	*	NAME	外觀寸法
			OLD No.	*	PRODUCT	水族館くじ
APPRO		CHECK	DRAWN		DRG.No.	UK0001
					DATE	2009.06.30
					CODE No.	* [ ] [ ] [ ] [ ] [ ] [ ] [ ] [ ] [ ] [ ]